



Section 3

Bases according to ISO 5599



Bases according to ISO 5599

		Series	
	Non plug-in base / manifold	Plug-in base / manifold	
			ISO 1
			ISO 2
			ISO 3

Non plug-in base / manifold

ISO 1

ISO 2

ISO 3



HOW TO ORDER

INDIVIDUAL BASE

Port size	Side ports	Bottom ports	Bottom cylinder ports 2 and 4.	Bottom port 1
G1/4"	MB-A1C-121	MB-A1C-123	MB-A1C-122	MB-A1C-124
G3/8"	MB-A1C-131	MB-A1C-133	MB-A1C-132	MB-A1C-134

INDIVIDUAL BASE ACCORDING TO VDMA 24345

Port size	Side ports	Bottom ports
G1/4"	HB-A1A-A	HB-A1A-B

MANIFOLD BASE

Port size	Side ports	Bottom ports	Bottom cylinder ports 2 and 4.	Bottom port 1
G1/4"	MM-A1C-121	MM-A1C-123	MM-A1C-122	MM-A1C-124
G3/8"	MM-A1C-131	MM-A1C-133	MM-A1C-132	MM-A1C-134

Manifold fastening kit : N-63002-01.

MANIFOLD BASE ACCORDING TO VDMA 24345

Port size	Side ports
G1/4"	HM-A1A-C

End plate kit: HM-A1A-D.

Valve blanking plate: MA1003.
Inlet/exhaust isolator plug: 32835.



Bases according to ISO 5599 / 2

Series

Plug-in base / manifold

ISO 1
ISO 2
ISO 3



HOW TO ORDER

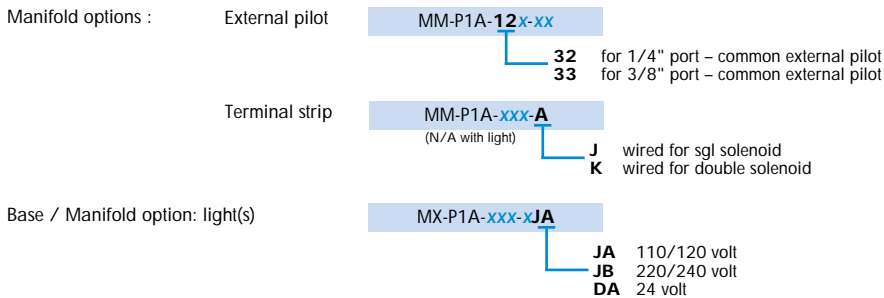
INDIVIDUAL BASE

Port size	Wired for	Side ports	Side ports w/ bottom 2 & 4 ports	All side & bottom ports
G1/4"	Single solenoid	MB-P1A-121-A	MB-P1A-122-A	MB-P1A-123-A
	Double solenoid	MB-P1A-121-B	MB-P1A-122-B	MB-P1A-123-B
G3/8"	Single solenoid	MB-P1A-131-A	MB-P1A-132-A	MB-P1A-133-A
	Double solenoid	MB-P1A-1231-B	MB-P1A-132-B	MB-P1A-133-B

MANIFOLD BASE

Port size	Wired for	Side ports	Side ports w/ bottom 2 & 4 ports	All side & bottom ports
G1/4"	Single solenoid	MM-P1A-121-A	MM-P1A-122-A	MM-P1A-123-A
	Double solenoid	MM-P1A-121-B	MM-P1A-122-B	MM-P1A-123-B
G3/8"	Single solenoid	MM-P1A-131-A	MM-P1A-132-A	MM-P1A-133-A
	Double solenoid	MM-P1A-1231-B	MM-P1A-132-B	MM-P1A-133-B

OPTIONS

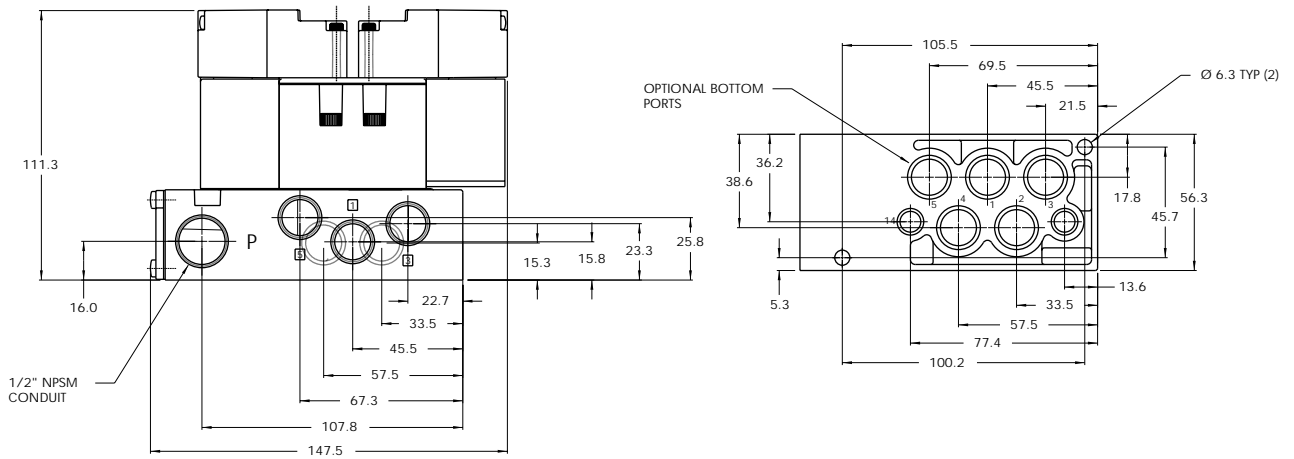


Accessories: M-P1001 Valve blanking plate.
 N-P1007-01 Manifold fastening kit.
 32835 Inlet/exhaust isolator plug.

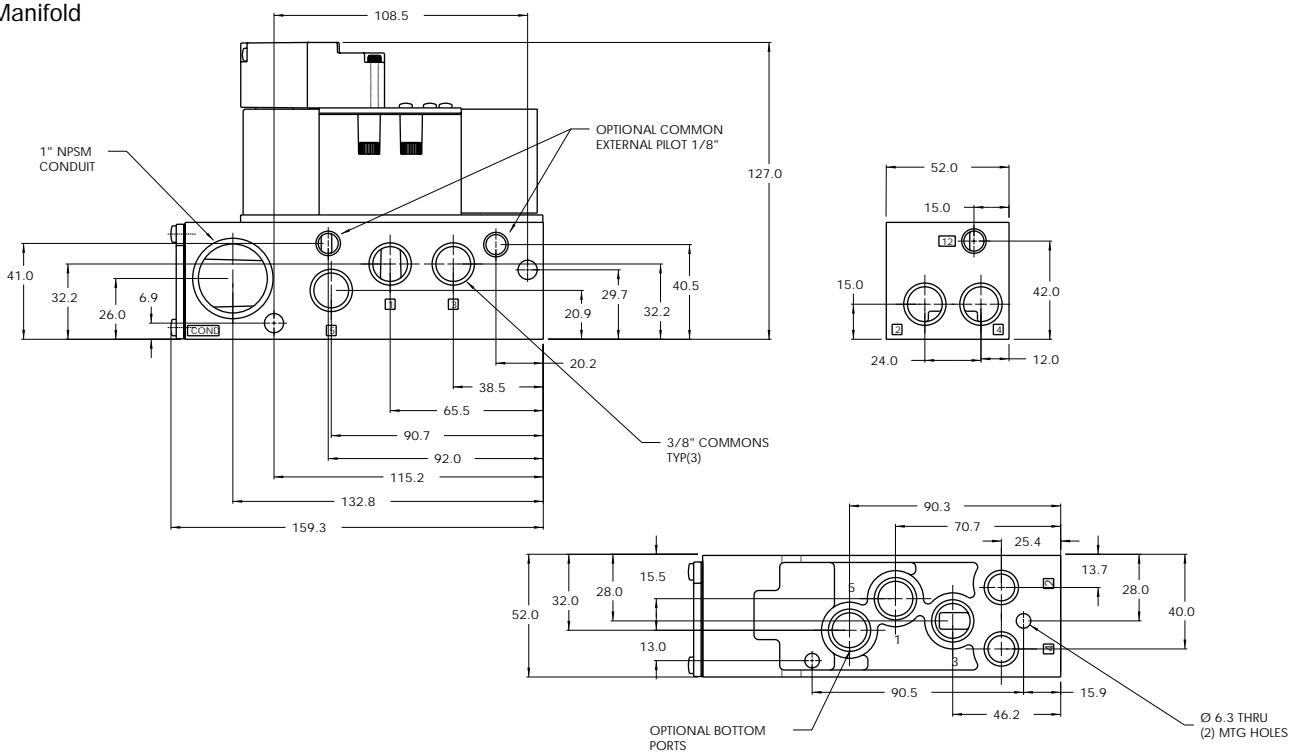
DIMENSIONS

Dimensions shown are metric (mm)

Individual



Manifold



Non plug-in base / manifold

ISO 1

ISO 2

ISO 3



HOW TO ORDER

INDIVIDUAL BASE

Port size	Side ports	Bottom ports	Bottom cylinder ports 2 and 4.	Bottom port 1
G3/8"	MB-A2B-121	MB-A2B-123	MB-A2B-122	MB-A2B-124
G1/2"	MB-A2B-131	MB-A2B-133	MB-A2B-132	MB-A2B-134

INDIVIDUAL BASE ACCORDING TO VDMA 24345

Port size	Side ports	Bottom ports
G3/8"	HB-A2B-A	HB-A2B-B

MANIFOLD BASE

Port size	Side ports	Bottom ports	Bottom cylinder ports 2 and 4.	Bottom port 1
G3/8"	MM-A2B-121	MM-A2B-123	MM-A2B-122	MM-A2B-124
G1/2"	MM-A2B-131	MM-A2B-133	MM-A2B-132	MM-A2B-134

Manifold fastening kit : N-63002-01.

MANIFOLD BASE ACCORDING TO VDMA 24345

Port size	Side ports
G3/8"	HM-A2B-C

End plate kit: HM-A2B-D.

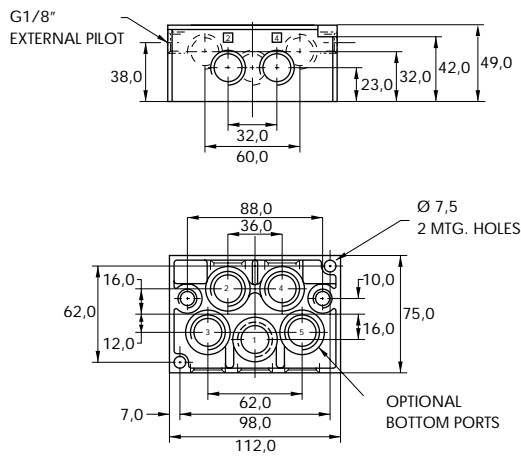
Valve blanking plate: MA2003.
Inlet/exhaust isolator plug: 32839.

DIMENSIONS

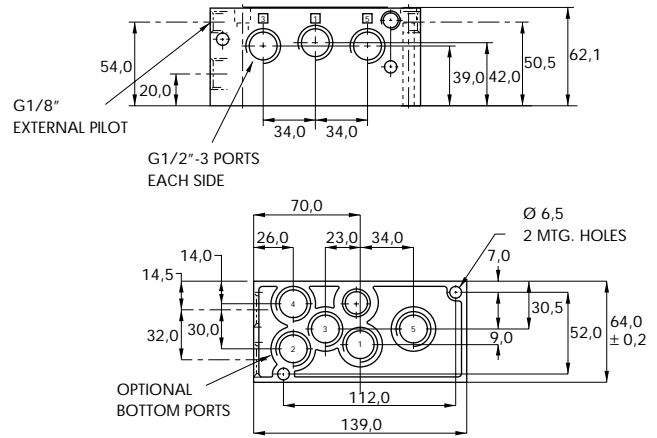
Dimensions shown are metric (mm)

Individual

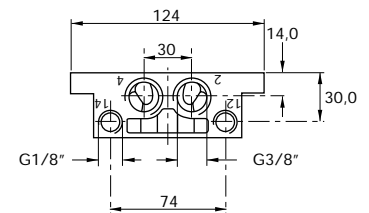
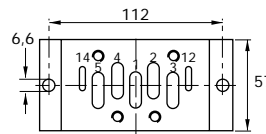
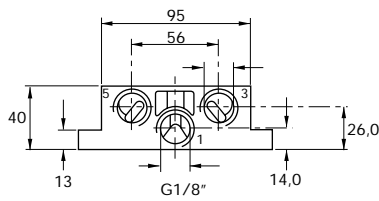
DIN 5599/1



Manifold



VDMA



Plug-in base / manifold



ISO 1
ISO 2
ISO 3

HOW TO ORDER

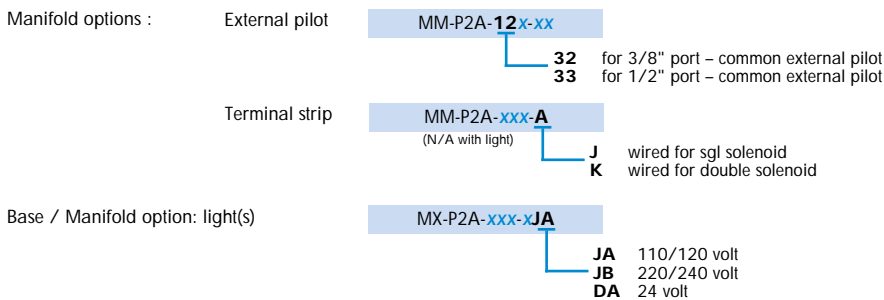
INDIVIDUAL BASE

Port size	Wired for	Side ports	Side ports w/ bottom 2 & 4 ports	All side & bottom ports
G3/8"	Single solenoid	MB-P2A-121-A	MB-P2A-122-A	MB-P2A-123-A
	Double solenoid	MB-P2A-121-B	MB-P2A-122-B	MB-P2A-123-B
G1/2"	Single solenoid	MB-P2A-131-A	MB-P2A-132-A	MB-P2A-133-A
	Double solenoid	MB-P2A-131-B	MB-P2A-132-B	MB-P2A-133-B

MANIFOLD BASE

Port size	Wired for	Side ports	Side ports w/ bottom 2 & 4 ports	All side & bottom ports
G3/8"	Single solenoid	MM-P2A-121-A	MM-P2A-122-A	MM-P2A-123-A
	Double solenoid	MM-P2A-121-B	MM-P2A-122-B	MM-P2A-123-B
G1/2"	Single solenoid	MM-P2A-131-A	MM-P2A-132-A	MM-P2A-133-A
	Double solenoid	MM-P2A-131-B	MM-P2A-132-B	MM-P2A-133-B

OPTIONS

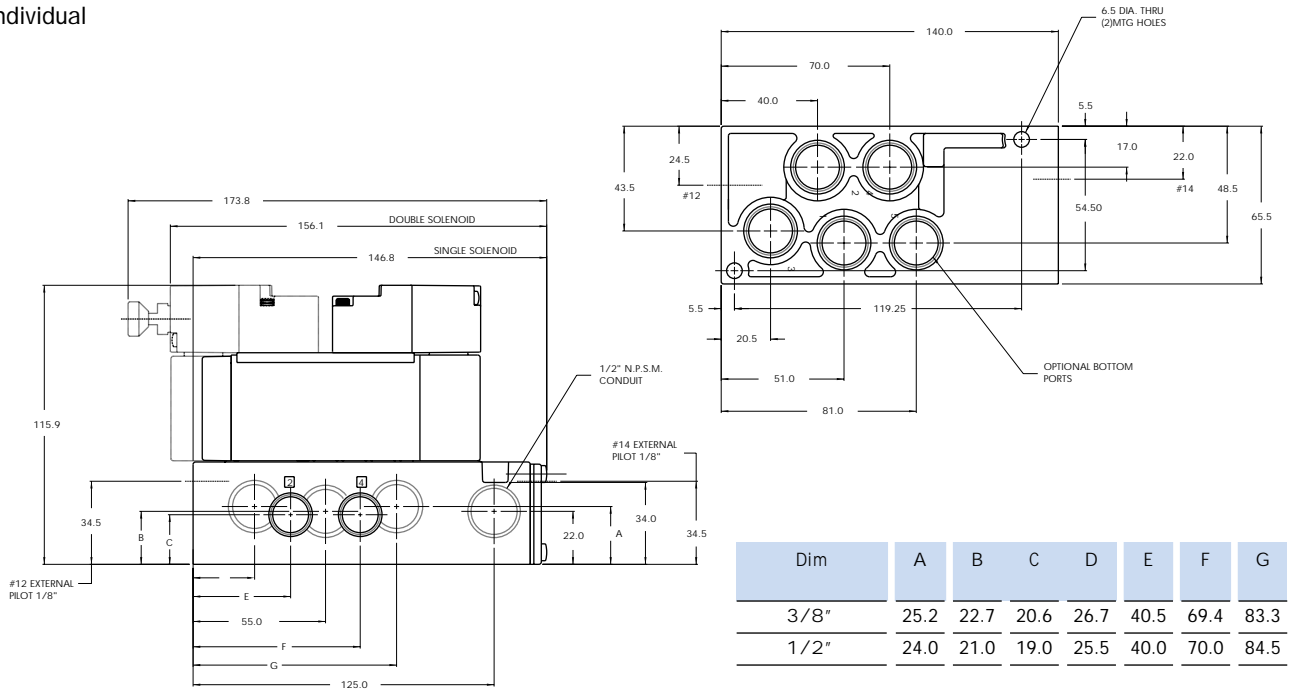


Accessories: M-P2001 Valve blanking plate.
 N-P2004-01 Manifold fastening kit.
 32839 Inlet/exhaust isolator plug.

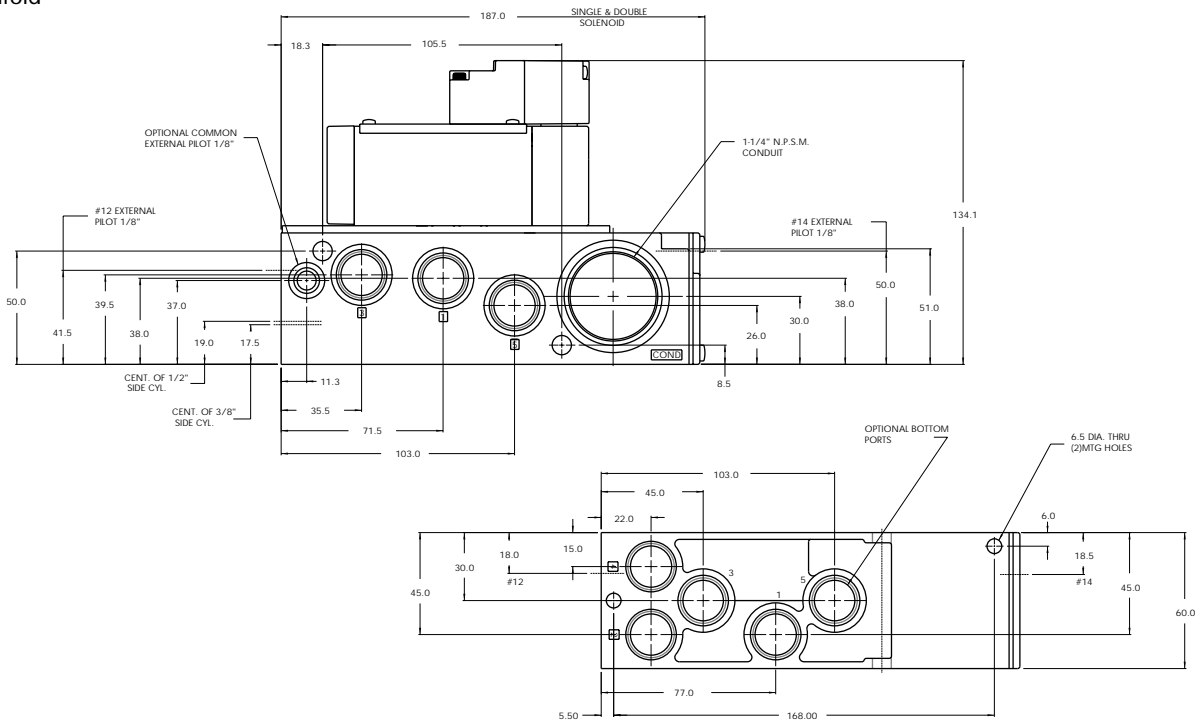
DIMENSIONS

Dimensions shown are metric (mm)

Individual



Manifold



Non plug-in base / manifold

ISO 1
ISO 2
ISO 3



HOW TO ORDER

INDIVIDUAL BASE

Port size	Side ports	Bottom ports	Bottom cylinder ports 2 and 4.	Bottom port 1
G1/2"	MB-A3B-121-A	MB-A3B-123-A	MB-A3B-122-A	MB-A3B-124-A
G3/4"	MB-A3B-131-A	MB-A3B-133-A	MB-A3B-132-A	MB-A3B-134-A

INDIVIDUAL BASE ACCORDING TO VDMA 24345

Port size	Side ports	Bottom ports
G1/2"	HB-A3B-A	HB-A3B-B

MANIFOLD BASE

Port size	Side ports	Bottom ports	Bottom cylinder ports 2 and 4.	Bottom port 1
G1/2"	MM-A3B-121-A	MM-A3B-123-A	MM-A3B-122-A	MM-A3B-124-A
G3/4"	MM-A3B-131-A	MM-A3B-133-A	MM-A3B-132-A	MM-A3B-134-A

Manifold fastening kit : N-63002-01.

MANIFOLD BASE ACCORDING TO VDMA 24345

Port size	Side ports
G1/2"	HM-A3B-C

End plate kit: HM-A3B-D.

Manifold fastening kit: N-P3003-01.

Valve blanking plate: MP3001.

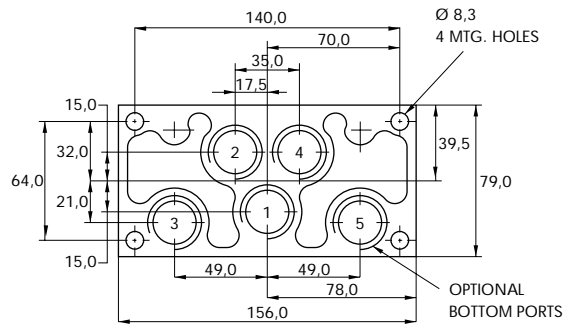
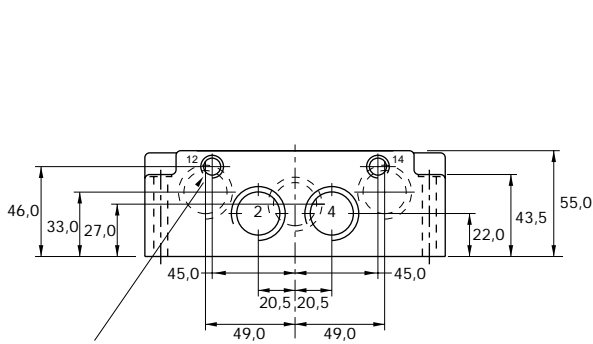
Inlet/exhaust isolator plug: 32845.

DIMENSIONS

Dimensions shown are metric (mm)

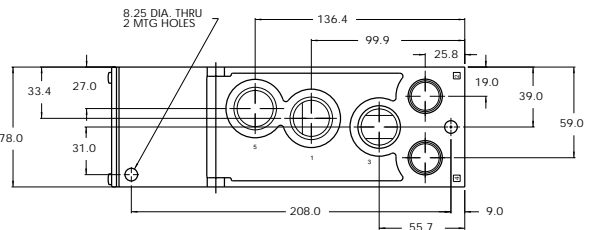
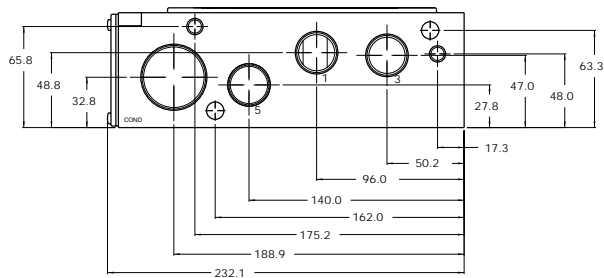
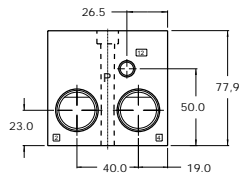
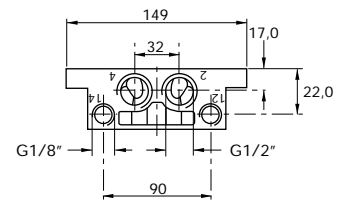
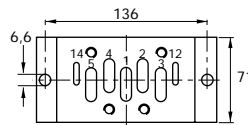
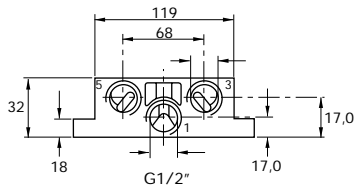
Individual

ISO DIN 5599/1



G1/8" EXTERNAL PILOT/
REMOTE AIR PILOT PORT (2 PLACES)

Manifold





Bases according to ISO 5599 / 2

Series

Plug-in base / manifold

ISO 1
ISO 2
ISO 3



HOW TO ORDER

INDIVIDUAL BASE

Port size	Wired for	Side ports	Side ports w/ bottom 2 & 4 ports	All side & bottom ports
G1/2"	Single solenoid	MB-P3A-121-A	MB-P3A-122-A	MB-P3A-123-A
	Double solenoid	MB-P3A-121-B	MB-P3A-122-B	MB-P3A-123-B
G3/4"	Single solenoid	MB-P3A-131-A	MB-P3A-132-A	MB-P3A-133-A
	Double solenoid	MB-P3A-131-B	MB-P3A-132-B	MB-P3A-133-B

MANIFOLD BASE

Port size	Wired for	Side ports	Side ports w/ bottom 2 & 4 ports	All side & bottom ports
G1/2"	Single solenoid	MM-P3A-121-A	MM-P3A-122-A	MM-P3A-123-A
	Double solenoid	MM-P3A-121-B	MM-P3A-122-B	MM-P3A-123-B
G3/4"	Single solenoid	MM-P3A-131-A	MM-P3A-132-A	MM-P3A-133-A
	Double solenoid	MM-P3A-131-B	MM-P3A-132-B	MM-P3A-133-B

OPTIONS

Manifold options :	External pilot	MM-P3A-12x-xx	32 for 1/2" port – common external pilot 33 for 3/4" port – common external pilot
	Terminal strip	MM-P3A-xxx-A	J wired for sgl solenoid K wired for double solenoid
Base / Manifold option: light(s)		MX-P3A-xxx-xJA	JA 110/120 volt JB 220/240 volt DA 24 volt

Accessories: M-P3001 Valve blanking plate.
N-P3003-01 Manifold fastening kit.
32845 Inlet/exhaust isolator plug.

DIMENSIONS

Dimensions shown are metric (mm)

